

Technical Specifications (continued)

Construction

Lens:

Prismatic Acrylic Lens

Mounting:

Surface mount. Can be mounted with v-hooks (ordered separately).

Finish:

Formulated for high durability and long-lasting color

Green Technology:

Mercury and UV free. RoHS-compliant components.

Other

5 Yr Limited Warranty:

The RAB 5-year, limited warranty covers light output, driver performance and paint finish. RAB's warranty is subject to all terms and conditions found at rablighting.com/warranty.

Equivalency:

Equivalent to (2) F32T8

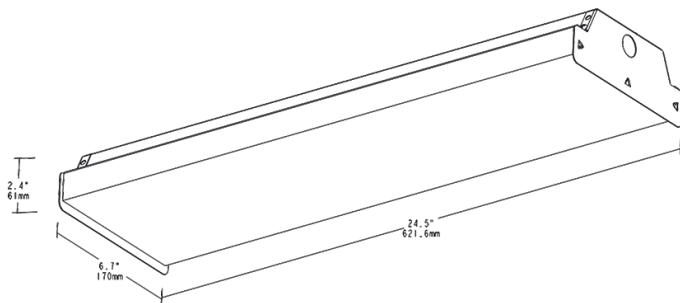
Trade Agreements Act Compliant:

This product is a product of Cambodia and a "designated country" end product that complies with the Trade Agreements Act

Buy American Act Compliance:

RAB values USA manufacturing! Upon request, RAB may be able to manufacture this product to be compliant with the Buy American Act (BAA). Please contact customer service to request a quote for the product to be made BAA compliant.

Dimensions



Features

- Affordable, easy to use LED wrap fixture
- 0-10V dimming standard
- 50,000-Hour LED lifespan

Ordering Matrix

Family	Length	Wattage	Color Temp	Finish	Voltage	Control Options	Options
GUSJR	2	20	840	W	U		
	2 = 2 ft 4 = 4 ft	20 = 20W 27 = 27W 40 = 40W	850 = 5000K Cool 840 = 4000K Neutral 835 = 3500K Warm Neutral	W = White	U = 120-277V, 0-10V Dimming	Blank = No Option /LC = Lightcloud® Controller	Blank = No Option /E2 = 120-277V Battery Backup * /TW = Through Wire

* Only available in 4FT (27W or 40W)